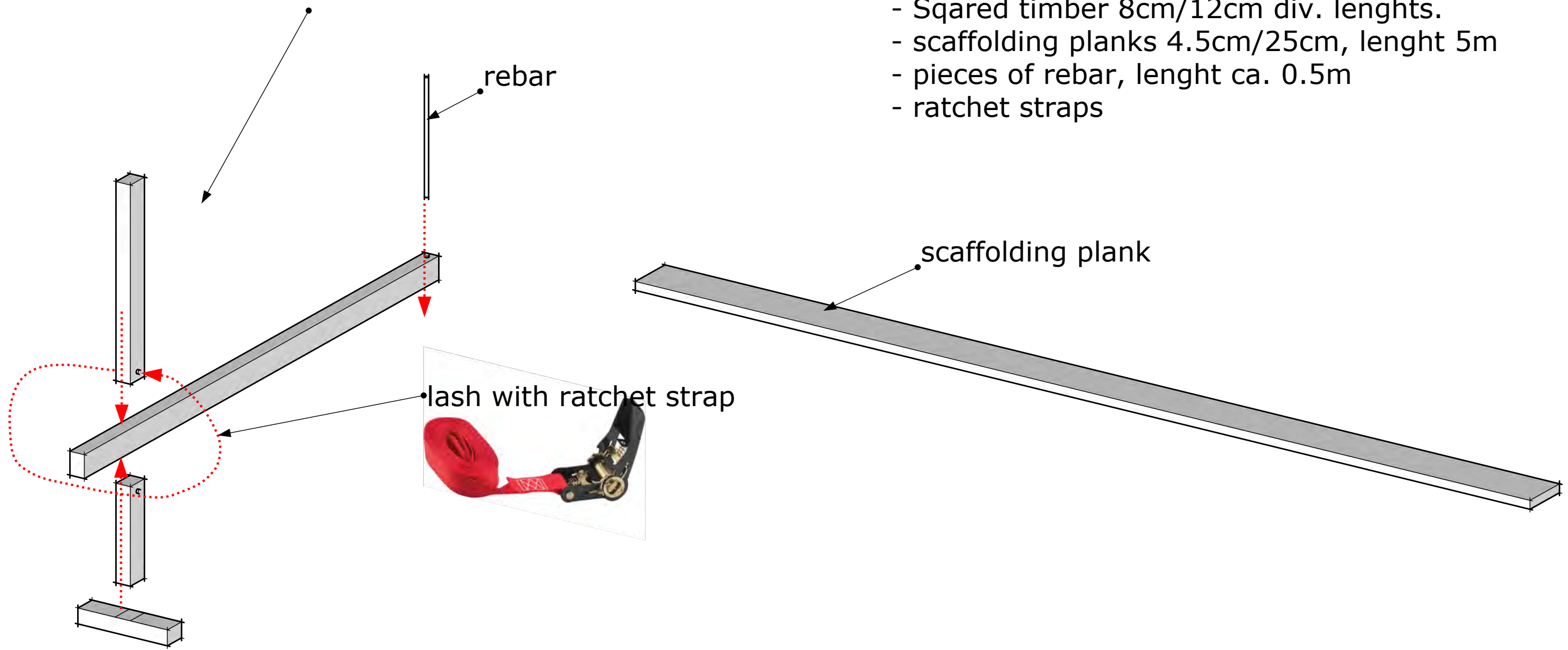


## Basic configuration of frame from squared timber

### Material needed:

- Squared timber 8cm/12cm div. lengths.
- scaffolding planks 4.5cm/25cm, length 5m
- pieces of rebar, length ca. 0.5m
- ratchet straps



• studs for railing, height about 1 m

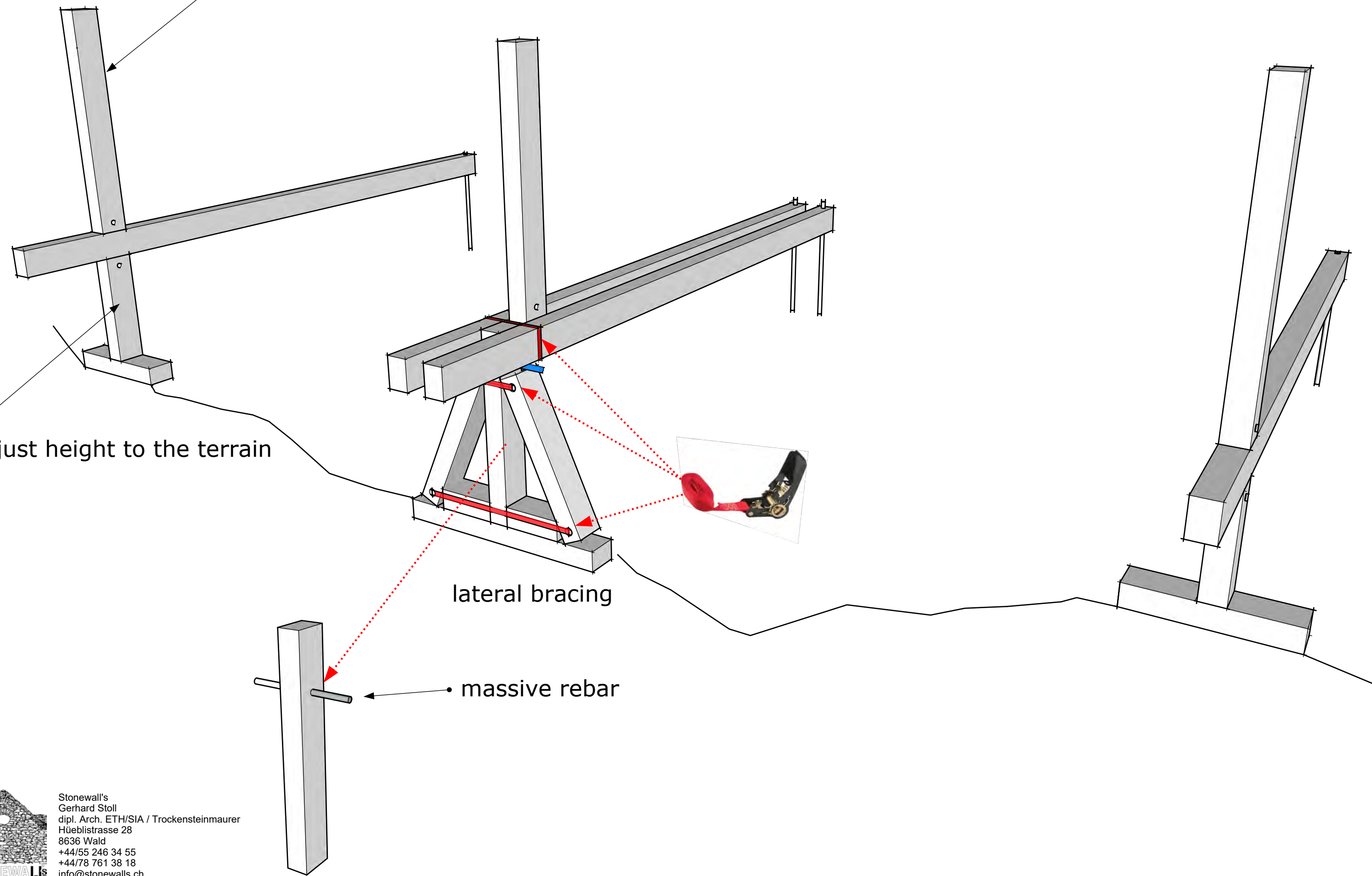
adjust height to the terrain

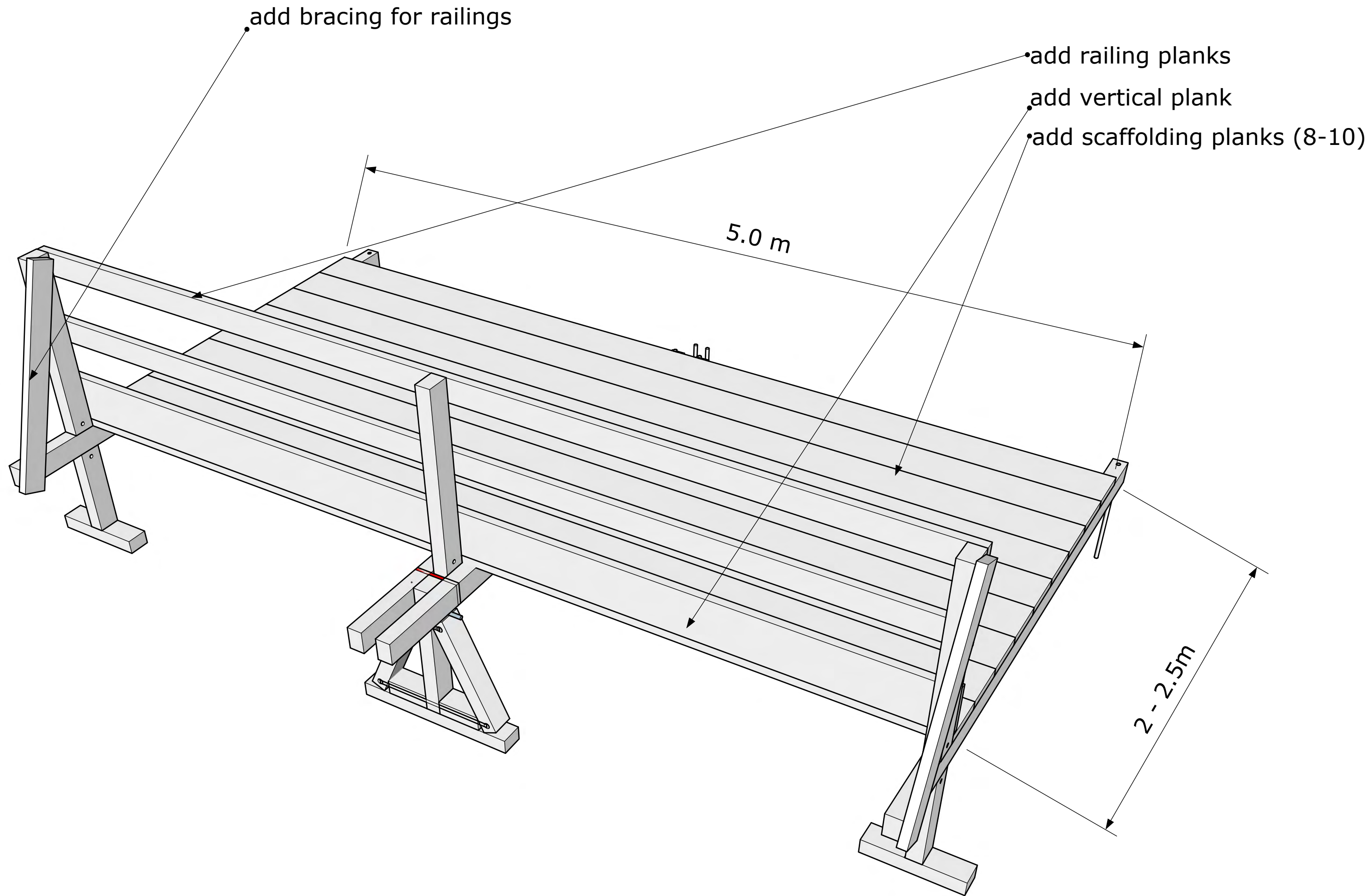
lateral bracing

• massive rebar



Stonewalls  
Gerhard Stoll  
dipl. Arch. ETH/SIA / Trockensteinmaurer  
Hüeblistrasse 28  
8636 Wald  
+44/55 246 34 55  
+44/78 761 38 18  
info@stonewalls.ch

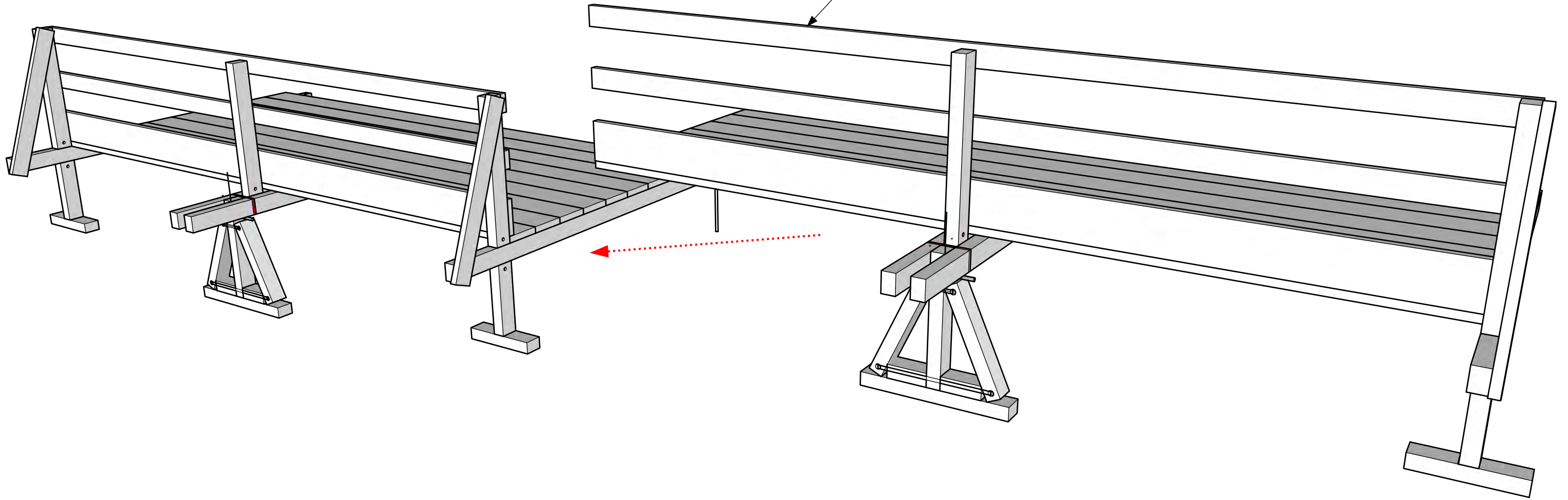




Stonewalls  
 Gerhard Stoll  
 dipl. Arch. ETH/SIA / Trockensteinmaurer  
 Hüblistrasse 28  
 8636 Wald  
 +44/55 246 34 55  
 +44/78 761 38 18  
 info@stonewalls.ch

## Costruction of a stone storage platform

•add other platform modules for additional length.



Stonewall's  
Gerhard Stoll  
dipl. Arch. ETH/SIA / Trockensteinmaurer  
Hüeblistrasse 28  
8636 Wald  
+44/55 246 34 55  
+44/78 761 38 18  
info@stonewalls.ch



Stonewall's  
Gerhard Stoll  
dipl. Arch. ETH/SIA / Trockensteinmaurer  
Hüeblistrasse 28  
8636 Wald  
+44/55 246 34 55  
+44/78 761 38 18  
info@stonewalls.ch